

# Time Trial Bike



01

## T1 ONE

Parts	Description	Brand
Frame	UD Carbon	TITANOS
Fork	UD Carbon	TITANOS
Stem	UD Carbon	TITANOS
Handlebar	UD Carbon	TITANOS
Seat Post	UD Carbon	TITANOS
Drivetrain	DURA-ACE	SHIMANO
Crantset	VISION	FSA
Tire	ATOM 700*21C	HUTICHISON
Wheel set	X-ZENITH/WH-SS81	TITANOS

Weight: 480mm/8.5kg

# Road Bike



02

## R13 ATHENA EPS

Parts	Description	Brand
Frame	UD Carbon	TITANOS
Fork	UD Carbon	TITANOS
Stem	X-ZENITH/ST-XS1.0SL, UD Carbon	AGOGO
Handlebar	X-ZENITH/HB-RD1.0SL, UD Carbon	TITANOS
Seat Post	X-ZENITH/SP-XS2.0SL, UD Carbon	AGOGO
Drivetrain	ATHENA EPS	CAMPAGNOLO
Tire	ROULER 700C	MAXXIS
Wheel set	SHAMAL ULTRA 2-WAY FIT BLACK DARK	CAMPAGNOLO

Weight: 520mm/6.9kgs

# Mountain Bike

03



## M20SL XX1 650B 27.5"

Parts	Description	Brand
Frame	UD Carbon	TITANOS
Fork	UD Carbon	TITANOS
Stem	X-ZENITH/ST-XS1.0SL, UD Carbon	AGOGO
Handlebar	X-ZENITH/HB-XF1.0SL, UD Carbon	TITANOS
Seat Post	X-ZENITH/SP-XS1.0SL, UD Carbon	AGOGO
Drivetrain	XX1	SRAM
Tire	MAXXLITE 27.5*2.0	MAXXIS
Wheel set	WH-ZTR650B ZC XX4.3	ZTR

Weight: 17.5"/7.3kgs

# Mountain Bike



XC6 650B 27.5"

Parts	Description	Brand
Frame	UD Carbon	TITANOS
Fork	Marvel 27.5 Expert Remote Lock Out	MANITOU
Rear Shock	Radium Expert Milo Lock Out	MANITOU
Stem	X-Zenith/ ST-XS1.0SL (Super Light), UD Carbon	AGOGO
Handlebar	X-Zenith/HB-XF1.0SL (Super Light), UD Carbon	AGOGO
Seat Post	X-Zenith/SP-XS1.0SL (Super Light), UD Carbon	AGOGO
Drivetrain	XT Disc 20SP	SHIMANO
Tire	MAXXIS 27.5x2.1 M309P	MAXXIS
Wheelset	X-NEO/WH-XX5.0	TITANOS

Weight:18"/11.15kg



M13 650B 27.5"

Parts	Description	Brand
Frame	UD Carbon	TITANOS
Fork	Marvel 27.5 Expert Remote Lock Out	MANITOU
Stem	Team Issue / UD Carbon	FSA
Handlebar	X-Zenith/HB-XF1.0SL (Super Light), UD Carbon	AGOGO
Seat Post	X-Zenith/SP-XS1.0SL (Super Light), UD Carbon	AGOGO
Drivetrain	XO 20SP	SRAM
Tire	MAXXIS 27.5x2.1 M309P	MAXXIS
Wheelset	X-NEO/WH-XX5.0	TITANOS

Weight:18"/10kg

# TITANOS



05

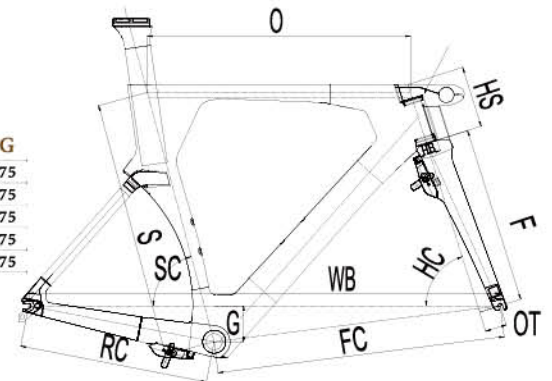


## FM-T1 ONE

TT CARBON FRAME

Stem 75mm/ Aerobar 420mm/ Armrest Width 329mm/ Seatpost 350mm  
 Frame: UD Carbon  
 With AGOGO Headset  
 With Alloy 7075 bottle cage bolts  
 BB: PF-30  
 Weight(45cm): frame+fork 2350g+80g

No. Size	S	SC	O	HS	HC	F	OT	WB	FC	RC	G
XXS	450	75°	490	91.6	71°	370	45	946	563	395	75
XS	490	75°	511	101.5	72.5°	370	45	946	563	395	75
S	520	75°	532	111.5	72.5°	370	45	967	584	395	75
M	540	75°	551	130	72.5°	370	45	987	604	395	75
L	560	75°	569	148	72.5°	370	45	1006	523	395	75





Tapered

Seat stay is flat design

Seat Post  $\phi$  27.2

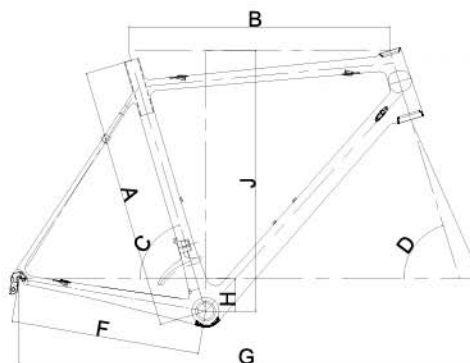


06

# FM-R13 Road Racing Carbon Frame

Frame: UD Carbon Fork: UD Carbon  
 With AGOGO Carbon Super Light Weight Seatpost  
 With AGOGO Headset With AGOGO Seatpost Clamp  
 With Alloy 7075 bottle cage bolts  
 BB: PF-30 Weight: 500mm/920±30g

No. Size	A	B	C	D	E	F	G	H	I	J
450										
480	480	515	74.5	71.5	110	408	961	69	370	513
500	500	525	74.5	72	115	408	967	69	370	519
520	520	535	74	72.5	120	408	974.6	69	370	523
540	540	545	73.5	73	140	408	975	69	370	543
560	560	559.6	73.5	73	155	408	990	69	370	558
580	580	575	73	73.5	175	408	996	69	370	579
600	600	590	72.5	73.5	195	408	1008	69	370	598





## FM-R10SL Athena

Road Racing Carbon Frame

Frame: 8F woven carbon, Fork: 8F woven carbon steerer

1 1/8" - 1 1/2" Asymmetric head tube BB30

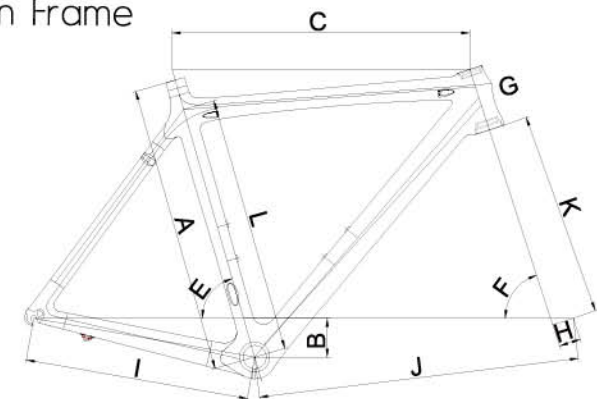
Integrated carbon rear seat

With AGOGO carbon seat post With AGOGO headset and 4pcs Alloy 7075 bottle cage bolts

With "water drop" shape seat clamp Weight (540mm): 1112g for frame & 447g for fork

Color: Wet White / Shine Red / Nature Green

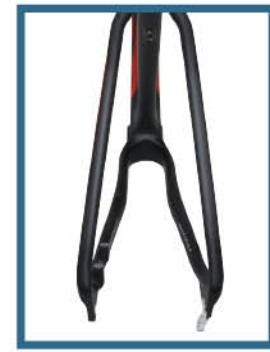
No. Size	A	B	C	E	F	G	H	I	J	K	L
480	480	70	520	74.8	71.3	105	39	410	576.1	370	425
500	500	70	525	74.3	71.3	110	39	410	576.6	370	445
520	520	70	537	74	72	115	39	405	579.3	370	465
540	540	70	543	74	72.5	135	39	405	580.6	370	485
560	560	70	555	73.5	73.5	150	39	405	579.2	370	506
580	580	70	570	73.5	73.5	170	39	405	594.4	370	525





135mm \* QR9mm  
for SHIMANO

142mm \* 12mm thru axle  
for SHIMANO

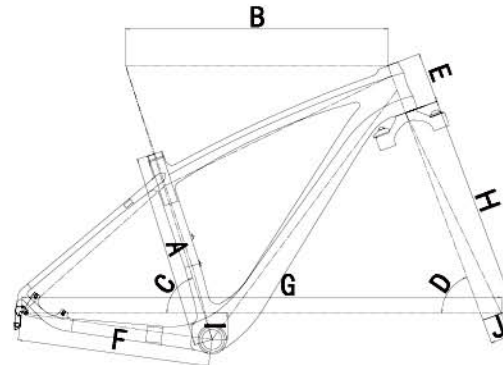


# FM-M19 29ER CARBON FRAME

Frame: UD Carbon  
 With AGOGO Headset  
 With AGOGO Seatpost Clamp  
 With Alloy 7075 bottle cage bolts  
 BB: PF-30  
 Weight: 15.5"/1280g+50g

No. Size	A	B	C	D	E	F	G	H	I	J
15.5"	395	590	72.5	69.5	105	440	1088	506	60	45
17.5"	445	600	72.5	69.5	115	440	1098	506	60	45
19"	483	620	72.5	69.5	125	440	1119	506	60	45
21"	533	640	72.5	69.5	135	440	1139	506	60	45

Interchangeable dropouts  
 135mm X QR9mm and 142mm X thru axle 12mm





# TITANOS



09



142mm \* 12mm thru axle  
for SHIMANO

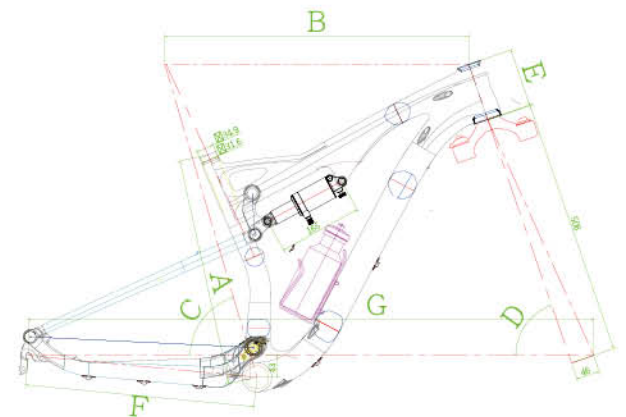
135mm \* QR9mm  
for SHIMANO

## FM-XC1 29ER CARBON FRAME

Frame: UD Carbon  
 With AGOGO Headset  
 With AGOGO Seatpost Clamp  
 With Alloy 7075 bottle cage bolts  
 Shockproof:c-c | 65mm/L  
 BB: PF-30  
 Weight: 15.5"/2060 $\pm$ 50g

No. Size	A	B	C	D	E	F	G
15.5"	395	565	73.6	71	105	452	1079
17.5"	448.5	598.1	73.6	71	115	452	1112.7
19"	483	617	73.6	71	125	452	1132
21"	533	638	73.6	71	135	452	1153.5

Interchangeable dropouts  
 135mm X QR9mm and 142mm X thru axle 12mm



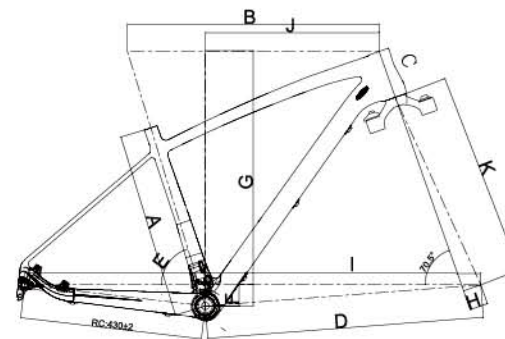


# FM-M20SL 650B 27.5" CARBON FRAME

Frame: UD Carbon  
 With AGOGO Headset  
 With AGOGO Seatpost Clamp X-Neo/SC-XS3.0  
 With Alloy 7075 bottle cage bolts  
 BB: BB-92,FD/DIRECT MOUNT  
 Weight: 17.5"/995g±50g

No. Size	A	B	C	D	E	F	G	H	I	J	K	L
15.5"	395	590	100	640	73.5°	45	581	43	1064	398	485	556
17.5"	445	600	115	653	73°	45	598	43	1078	410	485	571
19"	483	620	120	665	73°	45	603	43	1089	426	485	584
20.5"	533	640	130	680	73°	45	618	43	1105	438	485	599

Interchangeable dropouts  
 135mm X QR9mm and 142mm X thru axle 12mm



# TITANOS



11

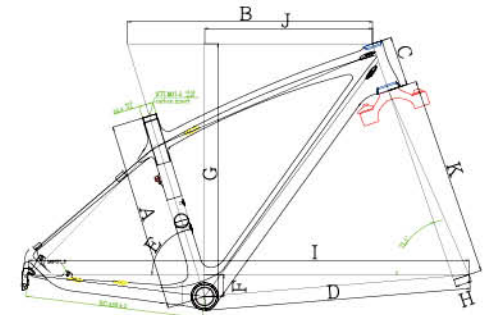


## FM-M13 650B 27.5" CARBON FRAME

Frame: UD Carbon With AGOGO Headset  
 With AGOGO Seatpost Clamp  
 With Alloy 7075 bottle cage bolts  
 BB: PF-30 Weight: 16"/1210g  $\pm$ /-50g

No. Size	A	B	C	D	E	F	G	H	I	J	K
16"	432	570	105	618	73	53	599	39	1043	387	485
18"	458	595	120	644	73	53	613	39	1063	408	485
20"	508	620	140	670	73	53	632	39	1094	427	485

Interchangeable dropouts  
 135mm X QR9mm and 142mm X thru axle 12mm





Seat Post ø 31.6

Tapered  
1.125"-1.5"



142mm \* 12mm thru axle  
for SHIMANO

135mm \* QR9mm  
for SHIMANO

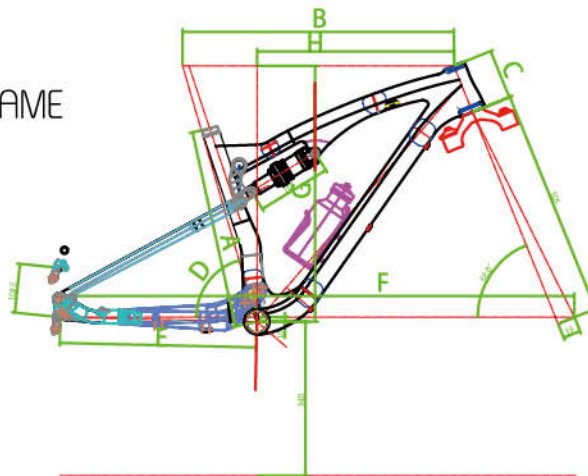


# FM-XC6 650B 27.5" CARBON FRAME

Frame: UD Carbon  
 With AGOGO Headset  
 With AGOGO Seatpost Clamp  
 With Alloy 7075 bottle cage bolts  
 Shockproof:c-c165mm/L  
 BB: PF-30,FD/DIRECT MOUNT  
 Weight: 18"/1.980g±50g

No. Size	A	B	C	D	E	F	G	H
16"	415	570	100	73.8	435	1106.1	556.8	408.4
18"	440	600	110	73.8	435	1137.1	566.1	435.6
20"	470	625	120	73.8	435	1163.1	574.9	457.9

Interchangeable dropouts  
 135mm X QR9mm and 142mm X thru axle 12mm



### FK-M1915

Carbon Thru Axle **29er** Fork  
 15mm\*O.L.D 100mm  
 Internal sleeved brake cable routing  
 AC Length 506mm  
 Offset 46mm  
 Weight: 665±30g



### FK-M2015

Carbon Thru Axle **27.5** Fork  
 15mm\*O.L.D 100mm  
 Internal sleeved brake cable routing  
 AC Length 485mm  
 Offset 42mm  
 Weight: 630±30g



### FK-CR215

Carbon Thru Axle **Cross** Fork  
 15mm\*O.L.D 100mm  
 Internal sleeved brake cable routing  
 AC Length 400mm  
 Offset 45mm  
 Weight: 525±30g



## Carbon Stem

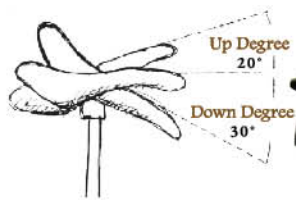


Item No.	FINISH	BAR BORE Ø	STEERER	STEERER HEIGHT	ANGLE	SIZE / mm	WEIGHT
X-Zenith/ST-XS1.0SL	UD/Wet White	31.8mm	28.6mm	40mm	84° / 6°	80,90,100,110,120,130	100g / 80mm

\*With titanium bolts and stainless washer

## High Strength Carbon

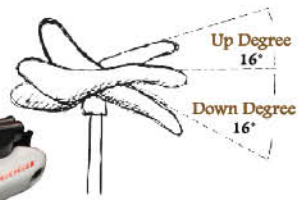




SP-XS1.0SL



SP-XS2.0SL



### Carbon Seatpost

Item No.	Type	FINISH	DIAMETER Ø	OFFSET	SIZE / mm	WEIGHT(+ / - 10g)
X-Zenith / SP-XS1.0SL	Flat	UD/Wet White	27.2/30.9/31.6mm	0°	350/400mm	170g(31.6mm, 400mm)
X-Zenith / SP-XS2.0SL	Riser	UD/Wet White	27.2/30.9/31.6mm	15°	350/400mm	174g(31.6mm, 400mm)

"Carbon Cap & Bottom Clamp  
Titanium Bolts & Alloy Column Washer"

## RACING BAR



MATT BLACK

X-ZENITH/HB-RD1.0



X-ZENITH/HB-RD2.0



UD BLACK



Internal Cable Routing

CARBON RISER BAR	MATERIAL	FINISH	WIDTH	WEIGHT ±10g
X-ZENITH / HB-RD1.0SL	CARBON	UD/MATT BLACK	380/400/420/440	215g(380mm)
X-ZENITH / HB-RD2.0	CARBON	UD/MATT BLACK	380/400/420/440	230g(380mm)

# MTB FLAT BAR



15

## CARBON HANDLE BAR

Monocoque carbon.

Unique monocoque embossed logo design.

Stem clamp area with bead-blasted finish for reducing risk of slippage.

The reinforced bar end area for setting up bar end safely.

EN-14766 Mountain approved

CARBON FLAT BAR	MATERIAL	FINISH	BAR BORE Ø	Up & Down Sweep	Front & Back Sweep	WIDTH	WEIGHT ±5g
X-ZENITH / HB-XF1.0SL	CARBON	UD/Wet White UD/3K/Marble	31.8mm	1°	5°	580/600/640 660/680/720/800	116g (600mm)

# MTB RISER BAR

SUPER LIGHT

CARBON RISER BAR	MATERIAL	FINISH	BAR BORE Ø	Up & Down Sweep	Front & Back Sweep	WIDTH	WEIGHT ±5g
X-ZENITH / HB-XR1.0SL	CARBON	UD/Wet White UD/3K/Marble	31.8mm	8°	5°	640/660/680 720/740/800	143g (660mm)



EMBOSSSED LOGO



# CARBON WATER BOTTLE CAGES



WBC-03  
UD 27g

WBC-03  
8F 27g

WBC-02  
6F 23g



WBC-02  
UD 23g



17

LIGHTWEIGHT CARBON  
FIBER HEADSET SPACER



MODEL NO.	DESCRIPTION	SIZE (mm)	FINISH
X-ZENITH/R1.0	CARBON FIBER	35 O.D. x 28.8 I.D. x 3 mmH	UD/Wet White
		35 O.D. x 28.8 I.D. x 5 mmH	
		35 O.D. x 28.8 I.D. x 10 mmH	
		35 O.D. x 28.8 I.D. x 15 mmH	

# φ12mm & 15mm skewer



This adaptor is for Thru axle 12mmx142mm



x-Neo/xB-xx4.3



This adaptor is for QR9mm x 135mm



The Lever Can Spin  
360 Degree

X-APEX/QR-XX2.1

12mmx142mm/LxP1.5 (with nut)  
12x150mm/L  
Hollow Axle AL7075  
Lever with hole designed  
Patent/ U.S.: 13/21415 ;  
TAIWAN:100214698



The Lever Can Spin  
360 Degree

X-APEX/QR-XX2.2

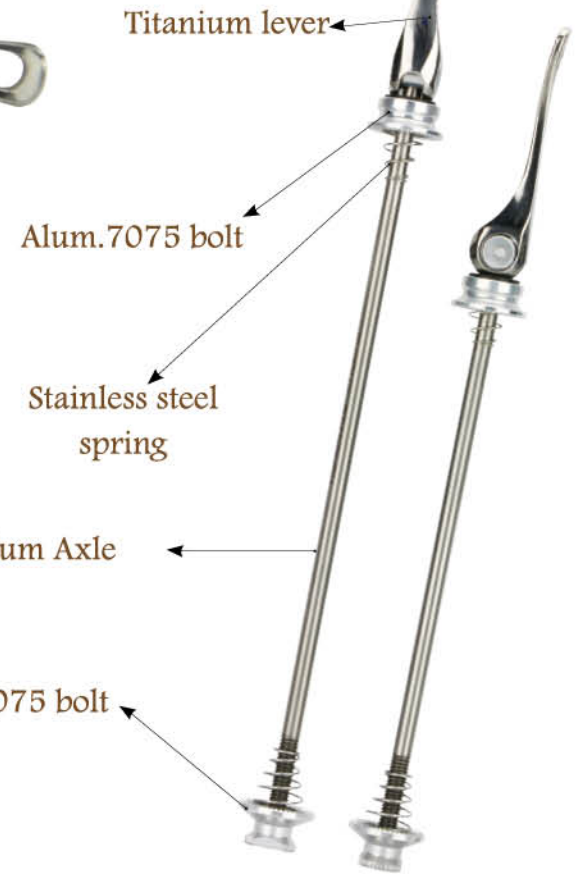
15mmx100mm/LxP1.5  
Hollow Axle AL7075  
Patent/ U.S.:13/21415 ;  
TAIWAN:100214698



# Skewer



QR-SS8.0 For Road  
 QR-xx8.0 For Mountain  
 Weight:41g/pr ±5g



QR-SS8.1 For Road  
 QR-xx8.1 For Mountain  
 Weight:47g/pr ±5g



## Titanium Axle and Lever



AGOGO skewers feature simple closed spherical cam design with TITANIUM AXLE and TITANIUM LEVER, top bolts could keep stainless springs from slip, no worry to look for springs on the ground any more!

As people know that TITANIUM material is very difficult to manage but now we make it. After long time of process research and development, we successfully create an outstanding forged titanium lever with high polished finish.

### Size For Road

F: Effective length 116mm (for 100 hub)  
 R: Effective length 146mm (for 130hub)

### Size For Mountain

F: Effective length 116mm (for 100 hub)  
 R: Effective length 151mm (for 135 hub)

# Skewer

QR-SS 6.0 For Road  
QR-xx 6.0 For Mountain

Weight: 44g/pr ±5g



AL7075

AL7150

Titanium

Titanium



AL7075

AL7150

QR-SS 1.0 For Road  
QR-xx 1.0 For Mountain

Weight: 44g/pr ±5g

## Titanium Axle and Alloy Lever

Size For Road

F: Effective length 116mm (for 100 hub)

R: Effective length 146mm (for 130hub)

Size For Mountain

F: Effective length 116mm (for 100 hub)

R: Effective length 151mm (for 135 hub)





## Aerodynamic Ultra-light Alloy Cassette Sprocket

For Shimano Compatible

Seq.	Model No.	Description	Ratio	Main body Material	11T Material	Surface treatment	Weight ±10g
1	ACS-S09134AL	11-34T	11,13,15,17,20,23,26,30,34	7075	CR-MO	hard anodizing	172
2	ACS-S10132AL	11-32T	11,12,13,14,16,18,21,24,28,32	7075	CR-MO	hard anodizing	127
3	ACS-S10136AL1	11-36T	11,13,15,17,19,21,24,28,32,36	7150	CR-MO	hard anodizing	195

With Lock Ring X-NEO/XX-S1

Optional Color : Silver, Black, Red, Blue, Gold

Hollow design with forged manufacturing + precision CNC machined and special surface treatment without compromising in strength, weight, wear-resisting and function, with best performance when shifting

Patented/ JAPAN: 3143936 & 3156390 / TAIWAN: M329011 & M372828 / GERMANY: 20 2009 013 417.2 It's for best performance when shifting. 10 speed 11-32T: efficient laborsaving when achieving an optimum speed ratio of approximate 1:1 when matches to the front chain wheel of 34 teeth.

## Lock Ring



X-NEO/XX-C1

Item no.	Material	COMPATIBLE for	Description	Weight (±1g)
X-Neo/ XX-C1	ALLOY 6061-T6	Campagnolo	11T	8g
X-Neo/ XX-C2			12T	10g
X-Neo/ XX-S1	ALLOY 6061-T6	Shimano	11T	8g
X-Neo/ XX-S2			12T	11g
Washer: Stainless Steel 45dia x 0.1mmH				
Color: Gold, Red, Blue, Silver, Black				

Lock ring in fashion colors for cassette sprocket, there are total 5 colors for your choices.

Small decoration makes your bike style very outstanding.

With stainless steel washer for fasten tightly

also extend lock ring it self's life time.

light weight hub & smooth pedaling & durability



### X-NEO/XB-XX3.1

- Main body material/machined  
AL6061 T6 by CNC
- Freehub body material/machined  
AL7075 by CNC
- DESCRIPTION
  - F:100mm, R: 135mm, Water Drop Shape
  - New design sealed bearing cap & O spring structure
  - Propeller tight sealed bearing
  - Shimano or Campagnolo Compatible Cassette Body For Choices
- USAGE  
MTB / Disc Brake Verison
- HOLES  
F: 24 / 28 / 32 R: 24 / 28 / 32
- COLOR  
Anodized red, anodized black, anodized blue, powder white
- WEIGHT  
F171g/ 305g



### X-NEO/XB-XX4.3

- Main body material/machined  
AL6061 T6 by CNC
- Freehub body material/machined  
AL7075 by CNC
- DESCRIPTION
  - F:100mm/QR 9mm  $\phi$  100mm/thru axle 15mm. Changeable
  - R:135mm/QR 9mm  $\phi$  142mm/thru axle 12mm. Changeable
  - New design sealed bearing cap & O spring structure
  - Propeller tight sealed bearing
  - Shimano Compatible Cassette Body
- USAGE  
MTB / Disc Brake Verison
- HOLES  
F: 32 R: 32
- COLOR  
Anodized red, anodized black, anodized titanium color
- WEIGHT  
F153g/R275g

light weight hub & smooth pedaling & durability



23



### X-NEO/XB-SS3.0

- Main body material/machined  
AL6061 T6 by CNC
- Freehub body material/machined  
AL7075 by CNC
- DESCRIPTION
  - F: 100mm, R: 130mm, Water Drop Shape
  - New design sealed bearing cap & O spring structure
  - Shimano or Campagnolo Compatible Cassette Body For Choices
- USAGE  
ROAD
- HOLES  
F: 20 R: 24
- COLOR  
Anodized red, anodized black, powder white
- WEIGHT  
F67g/R224g

### X-NEO/XB-SS3.1

- Main body material/machined  
AL6061 T6 by CNC
- Freehub body material/machined  
AL7075 by CNC
- DESCRIPTION
  - **Straight Pull**
  - F: 100mm, R: 130mm, Water Drop Shape
  - New design sealed bearing cap & O spring structure
  - Shimano or Campagnolo Compatible Cassette Body For Choices
- USAGE  
ROAD
- HOLES  
F: 20 R: 24
- COLOR  
Anodized red, anodized black, powder white
- WEIGHT  
F126g/R224g



### X-ZENITH/WH-SS81

· Speed	9/10/11
· Rim Size/Type	700C Clincher
· Profile	81mm
· Rim Material	CARBON
· Eyelets	-
· Holes: F/R	F20/R24
· Valve Type	Franch Valve
· Hub	X-Neo/XB-SS3.1
· Q.L.D: F/R	F100mm/R130mm
· Cassette For	Shimano or Campagnolo
· QR	X-Apex/QR-SS6.0
· Weight/Pair	1870g±50g



### X-ZENITH/WH-SS55

· Speed	9/10/11
· Rim Size/Type	700C Clincher
· Profile	55mm
· Rim Material	CARBON
· Eyelets	-
· Holes: F/R	F20/R24
· Valve Type	Franch Valve
· Hub	X-Neo/XB-SS3.1
· Q.L.D: F/R	F100mm/R130mm
· Cassette For	Shimano or Campagnolo
· QR	X-Apex/QR-SS6.0
· Weight/Pair	1460g±50g





X-ZENITH/WH-XX29

• Speed	9/10
• Rim Size/Type	29" / Clincher
• Profile	18mm*21mm
• Rim Material	CARBON
• Eyelets	-
• Holes: F/R	F32/R32
• Valve Type	French Valve
• Hub	X-Neo/XB-XX4.3
• Q.L.D: F/R	F/100mm x QR9mm & 100mm x thru axle 15mm R/135mm x QR9mm & 142mm x thru axle 12mm
• Cassette For	Shimano
• QR	X-Apex/QR-XX6.0
• Weight/Pair	1630g±50g



X-NEO/WH-XX2.0(29ER)

• Speed	9 / 10
• Rim Size/Type	29" / Clincher
• Profile	23mm
• Rim Material	ALLOY
• Eyelets	Stainless
• Holes: F/R	F32/R32
• Valve Type	French Valve
• Hub	X-Neo/XB-XX4.3
• O.L.D: F/R	F/100mm x QR9mm&100mm x thru axle 15mm R/135mm x QR9mm&142mm x thru axle 12mm
• Cassette For	Shimano
• QR	X-Apex/QR-XX6.0
• Weight/PAIR	1830g±30g



### X-NEO/WH-XX5.0

• Speed	9 / 10
• Rim Size/Type	650B(27.5")
• Profile	23mm
• Rim Material	ALLOY
• Eyelets	Stainless
• Holes: F/R	F32/R32
• Valve Type	French Valve
• Hub	X-Neo/XB-XX4.3
• O.L.D: F/R	F/100mm x QR9mm&100mm x thru axle 15mm R/135mm x QR9mm&142mm x thru axle 12mm
• Cassette For	Shimano
• QR	X-Apex/QR-XX6.0
• Weight/PAIR	1590g±30g



### X-ZENITH/WH-XX5.1

• Speed	9/10
• Rim Size/Type	650B(27.5")
• Profile	23mm
• Rim Material	ALLOY
• Eyelets	Stainless
• Holes: F/R	F32/R32
• Valve Type	Franch Valve
• Hub	X-Neo/XB-XX3.1
• Q.L.D: F/R	F100mm/R135mm
• Cassette For	Shimano
• QR	X-Apex/QR-XX6.0
• Weight/Pair	1819g±50g